

SM-TP

Two Platen Advanced Servo Drive
Servomotor-driven Injection Moulding Machine
from 700 to 6500 tons

Smallest Footprint

Largest Specs

Japanese-based designs



SUPERMASTER

Two Platen Advanced Series

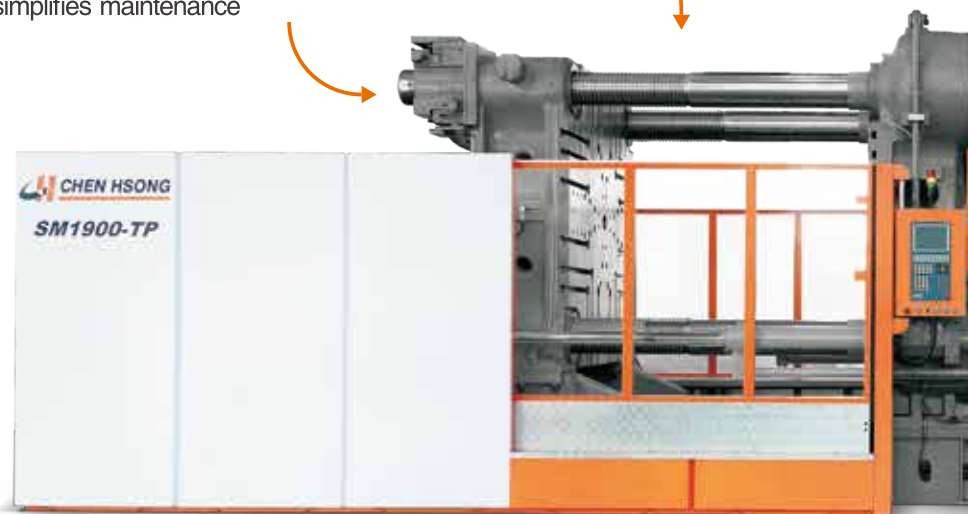
The SUPERMASTER TP-Series is a revolutionary "ture" two-platen design from Chen Hsong. Designed in 3 years with a team led by leading European and Japanese industry experts, it represents a unique combination of world-class, no compromise performance and characteristic Chen Hsong affordability. Numerous innovations protected by international patents give this machine a price-performance value that is previously undreamt-of. Prepare to be blown away by the kind of wonders it can do to your operation - the possibilities are simply limitless...

① The Fastest Clamping Unit Available: 750mm/sec

Extremely fast clamp movements (8 seconds dry cycle for SM2200TP)
significantly shorten cycle time

② Patented tie-bar/hydraulic connection

Reduces stress concentration and greatly simplifies maintenance



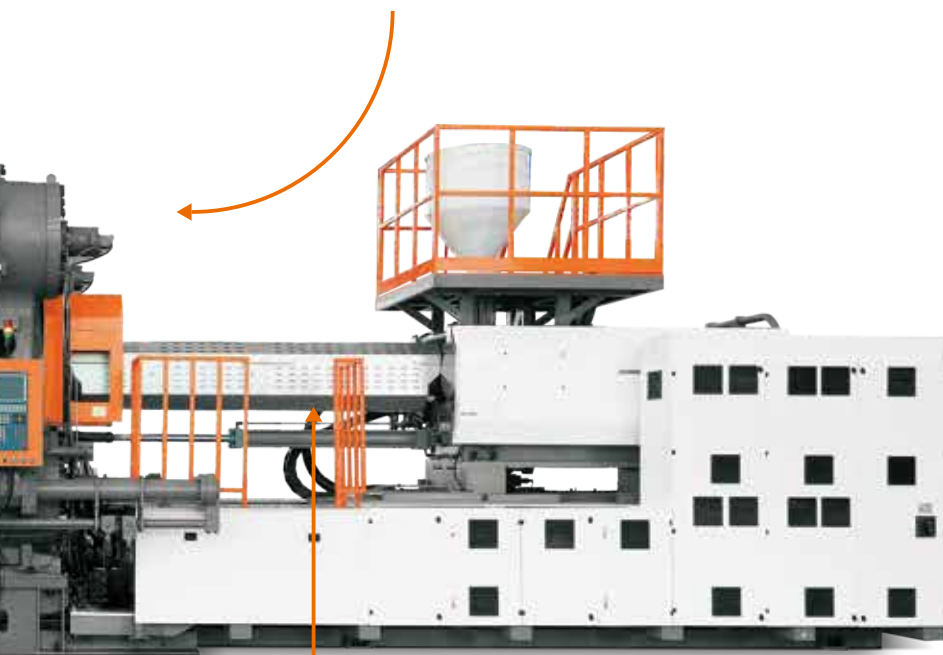
⑤ Patented inter-lock mechanism

Combines high speed and silent operation with extremely high
precision and rock-solid reliability

Images of products are for your reference and subject to change without notice

③ Patented high-speed automatic mould-height adjustment

Ensures accurate and fast operation



④ State-of-the-Art Injection Unit Design

Extra feeding temperature control zone

Tri-colinear bearings ensure perfect alignment

Nozzle tip can be moved beyond the fixed platen by up to 300mm

All screws have L/D ratio of 1:22 for optimal melt quality*

*19:1 to 20:1 alternatives are available

SUPERMARTER

Insist on “True” Two-Platen Design

Shortest footprint - easy to fit into any factory

Largest opening stroke



Second Generation Servo-Drive System

saves up to 80% Electricity*

Driven by a revolutionary intelligent servo system, the second-generation SVP/2 power pack combines a fast-response gear pump with a high-precision servomotor, integrated with a proprietary servo-drive into an affordable package that guarantees the highest response, highest precision and lowest power consumption at the same time.

Energy Saving

Saves up to 80% of electricity compared to traditional fixed pump systems*

Ultimate Response

Response speed is more than double of a variable displacement pump

Ultimate Precision & Repeatability

Up to 0.5% repeatability even under extremely low speed & prolonged holding conditions

Long Operational Life

Low oil temperature conserves cooling water and reduces the need for hydraulic oil, thus extending the useable lives of hydraulic parts



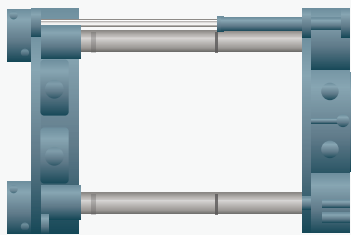
Items	SVP/2	Servo Pump	All Electric	Variable Pump
High Energy Saving	✓	✓	✓	●
High Precision	✓	●	✓	●
High Repeatability	✓	●	✓	●
Dynamic Response	✓	×	✓	●
Low Speed Control	✓	●	✓	×
Long Holding Pressure	✓	●	×	✓
Low Noise Level	✓	✓	✓	×
Low Cooling Water Consumption	✓	✓	✓	×
Long Operational Life	✓	●	×	✓
Ease of Maintenance	✓	✓	×	✓

✓ Excellent ● Average × Weak

Mix-and-Match with Unparalleled Flexibility

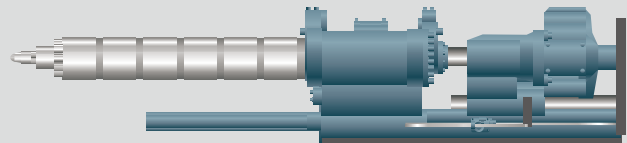
13 Clamping Units (from 700 to 6,500 tons) and
14 injection Units (Shot weight from 1,968 - 106,081 grams) for flexible mix-and-match.

14 Clamping Units (Clamping Force)



1	700tons
2	850tons
3	1050tons
4	1250tons
5	1450tons
6	1650tons
7	1900tons
8	2200tons
9	2600tons
10	3000tons
11	3600tons
12	4500tons
13	6500tons

14 Injection Units (Shot Weight)



J	1,968g
K	2,604g
N	3,430g
P	4,754g
Q	6,172g
A	7,847g
R	9,801g
B	13,180g
C	21,002g
D	31,431g
E	44,843g
F	61,166g
G	81,043g
H	106,081g



Exclusive Patented Circular Platen ZL 01 2 57876.2

- ① Even stress distribution to moulds - improves production stability and part quality
- ② More uniform stress distribution helps extend mould life
- ③ Enhanced stiffness and structural integrity makes this design suitable for all moulding applications



MPC 7.0 intelligent networkable computer controller

The MPC 7.0 is a high performance, new generation intelligent computer controller available exclusively from Chen Hsong. Designed in Japan and constructed with the latest SMT technology, it boasts full compatibility with JIS standards, enhanced stability and ultimate reliability. This controller comes standard with multi-lingual interfaces, built-in networking, advanced intelligent diagnostics, and the ability to retain data for over five years without external power. Includes full networking support for industrie 4.0.





Chen Hsong

📍 13-15 Dai Wang Street, Tai Po Industrial Estate, N.T., Hong Kong

✉ marketing@chenhsong.com

☎ +852 2665 3222

chenhsong.com